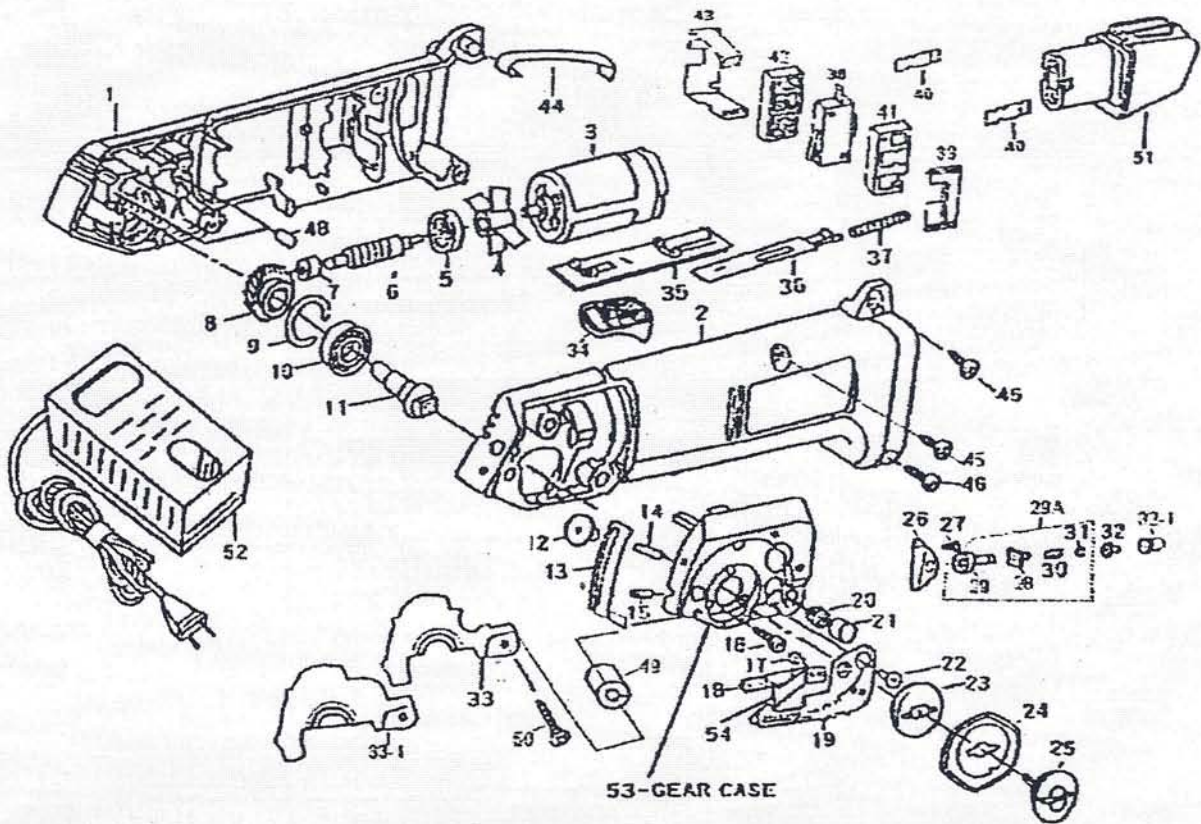


MODEL: NC360 CORDLESS CUTTER



PART NO.	QTY	DESCRIPTION	PART NO.	QTY	DESCRIPTION
EC-360-A01	1	RIGHT HOUSING	EC-360-A29	1	STONE
EC-360-A02	1	LEFT HOUSING	EC-360-A29A		STONE ASSY
EC-360-A03	1	MOTOR	EC-360-A30	1	SPRING
EC-360-A04	1	MOTOR FAN	EC-360-A31	1	RING
EC-360-A05	1	BALL BEARING	EC-360-A32	1	PUSH KNOB FOR STONE
EC-360-A06	1	WORM GEAR	EC-360-A32-1	1	SLEEVE FOR 29A
EC-360-A07	1	BUSHING	EC-360-A33	1	KNIFE GUARD
EC-360-A08	1	HELIX GEAR	EC-360-A33-1	1	KNIFE GUARD
EC-360-A09	1	RETAINING RING	EC-360-A34	1	ON-OFF HANDLE
EC-360-A10	1	BALL BEARING	EC-360-A35	1	SWITCH HOUSING
EC-360-A11	1	GEAR SHAFT	EC-360-A36	1	SLIDE
EC-360-A12	1	NUT	EC-360-A37	1	SPRING
EC-360-A13	1	FINGER GUARD	EC-360-A38	1	MICRO SWITCH
EC-360-A14	1	SCREW	EC-360-A39	1	SWITCH HOLDER
EC-360-A15	1	SCREW	EC-360-A40	2	SWITCH SLIDE
EC-360-A16	2	SCREW	EC-360-A41	1	L SWITCH CLIP
EC-360-A17	2	SCREW	EC-360-A42	1	R SWITCH CLIP
EC-360-A18	1	CUTTING BLADE W/ CARBIDE	EC-360-A43	1	SWITCH HOLDER
EC-360-A19	1	LEG	EC-360-A44	1	BATTERY CLAMPING
EC-360-A20	1	SPRING	EC-360-A45	2	SCREW
EC-360-A21	1	OIL FELT	EC-360-A46	1	SCREW
EC-360-A22	2	SCREW	EC-360-A48	1	STOPPER
EC-360-A23	1	HELIX GEAR SUPPORT	EC-360-A49	1	KNIFE GUARD SOCKET
EC-360-A24	1	10 SIDED KNIFE	EC-360-A50	1	KNIFE LOCK SCREW
EC-360-A25	1	KNIFE LOCK SCREW	EC-360-A51	1	BATTERY 9.6V
EC-360-A26	1	SHARPENER HOLDER	EC-360-A52	1	BATTERY CHARGER
EC-360-A27	1	SCREW	EC-360-A53	1	GEAR CASE